

Spherical roller bearings

Standard bearings	692
Open bearings	692
Sealed bearings	694
Bearings for vibratory applications	696
SKF Explorer class bearings	697
Special bearings	697
Bearings on sleeves	698
Appropriate bearing housings	699
Bearing data – general	700
Dimensions	700
Tolerances	700
Internal clearance	700
Misalignment	703
Influence of operating temperature on bearing material	704
Axial load carrying capacity	704
Minimum load	704
Equivalent dynamic bearing load	705
Equivalent static bearing load	705
Supplementary designations	705
Mounting bearings with tapered bore	706
Measuring the clearance reduction	706
Measuring the lock nut tightening angle	708
Measuring the axial drive-up	708
Measuring the inner ring expansion	710
Additional mounting information	710
Product tables	712
Spherical roller bearings	712
Sealed spherical roller bearings	736
Spherical roller bearings for vibratory applications	740
Spherical roller bearings on adapter sleeve	744
Spherical roller bearings on withdrawal sleeve	758



Spherical roller bearings

Spherical roller bearings have two rows of rollers with a common sphered raceway in the outer ring and two inner ring raceways inclined at an angle to the bearing axis (→ **fig 1**). This gives them an attractive combination of design features making them irreplaceable in many demanding applications. They are self-aligning and consequently insensitive to misalignment of the shaft relative to the housing and to shaft deflection or bending.

SKF spherical roller bearings are leading in design and can, in addition to high radial loads, accommodate high axial loads acting in both directions.

Standard bearings

The standard range of SKF spherical roller bearings comprises

- open bearings,
- sealed bearings and
- bearings for vibratory applications.

In addition to the standard range, SKF offers a wide range of special spherical roller bearings adapted for specific applications.

Open bearings

SKF spherical roller bearings are produced in several designs, depending on bearing series and size. The differences are

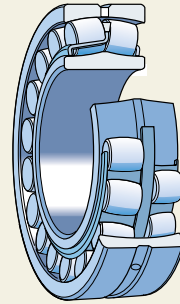
- the arrangement of the floating guide ring as well as
- the design of the inner ring and the cages,

as described in the following and shown in **fig 2**.

C(J), CC Two window-type steel cages, flangeless inner ring and guide ring centred on the inner ring (**a**).

EC(J), ECC(J) Two window-type steel cages, flangeless inner ring, guide ring centred on the inner ring and reinforced roller complement (**a**).

Fig 1



- CA, CAC** One-piece machined brass cage of the double-pronged type, retaining flanges on the inner ring and guide ring centred on the inner ring (**b**).
- CAF** As CA, but with a steel cage
- ECA, ECAC** One-piece machined brass cage of the double-pronged type, retaining flanges on the inner ring, guide ring centred on the inner ring and reinforced roller complement (**b**).
- ECAF** As ECA, but with a steel cage
- E** When bearing bore diameter $d \leq 65$ mm:
Two window-type steel cages, flangeless inner ring and guide ring centred on the inner ring (**c**).
- When bearing bore diameter $d > 65$ mm:
Two window-type steel cages, flangeless inner ring and guide ring centred on the cages (**d**).
- CAFA** One-piece machined steel cage of the double-pronged type centred on the outer ring raceway, retaining flanges on the inner ring and guide ring centred on the inner ring (**e**).
- CAMA** As CAFA, but with a brass cage

Spherical roller bearings

Influence of operating temperature on bearing material

All SKF spherical roller bearings undergo a special heat treatment so that they can be operated at higher temperatures for longer periods, without the occurrence of inadmissible dimensional changes. For example, a temperature of +200 °C for 2 500 h, or for short periods at even higher temperatures is permitted.

Axial load carrying capacity

Because of their special internal design, SKF spherical roller bearings are able to accommodate heavy axial loads and even purely axial loads.

Axial load carrying capacity of bearings mounted on an adapter sleeve

If spherical roller bearings with adapter sleeves are mounted on smooth shafts with no fixed abutment, the magnitude of the axial load that can be supported is determined by the friction between the shaft and sleeve. Provided the bearings are correctly mounted, the permissible axial load can be calculated from

$$F_{ap} = 0,003 B d$$

where

F_{ap} = maximum permissible axial load, kN

B = bearing width, mm

d = bearing bore diameter, mm

Minimum load

In order to provide satisfactory operation, spherical roller bearings, like all ball and roller bearings, must always be subjected to a given minimum load, particularly if they are to operate at high speeds or are subjected to high accelerations or rapid changes in the direction of load. Under such conditions the inertia forces of the rollers and cage(s), and the friction in the lubricant, can have a detrimental influence on the rolling conditions in the bearing arrangement and may cause damaging sliding movements to occur between the rollers and raceways.

The requisite minimum load to be applied to spherical roller bearings can be estimated using

$$P_{0m} = 0,01 C_0$$

where

P_{0m} = minimum equivalent static load, kN

C_0 = basic static load rating, kN

(→ product tables)

In some applications it is not possible to reach or exceed the requisite minimum load. However, if the bearing is oil lubricated lower minimum loads are permissible. These loads can be calculated when $n/n_r \leq 0,3$ from

$$P_{0m} = 0,003 C_0$$

and when $0,3 < n/n_r \leq 2$ from

$$P_{0m} = 0,003 C_0 \left(1 + 2 \sqrt{\frac{n}{n_r} - 0,3} \right)$$

where

P_{0m} = minimum equivalent static bearing load, kN

C_0 = basic static load rating, kN

(→ product tables)

n = rotational speed, r/min

n_r = reference speed, r/min

(→ product tables)

When starting up at low temperatures or when the lubricant is highly viscous, even greater minimum loads than $P_{0m} = 0,01 C_0$ may be required. The weight of the components supported by the bearing, together with external forces, generally exceeds the requisite minimum load. If this is not the case, the spherical roller bearing must be subjected to an additional radial load.

NoWear spherical roller bearings have proven to give reliable operation at very low loads. They can withstand longer periods of insufficient lubrication, sudden variations in load and rapid speed changes (→ **page 939**).

Equivalent dynamic bearing load

For dynamically loaded spherical roller bearings

$$P = F_r + Y_1 F_a \quad \text{when } F_a/F_r \leq e$$

$$P = 0,67 F_r + Y_2 F_a \quad \text{when } F_a/F_r > e$$

The values of the calculation factors e , Y_1 and Y_2 will be found in the product tables.

Equivalent static bearing load

For statically loaded spherical roller bearings

$$P_0 = F_r + Y_0 F_a$$

The value of the calculation factor Y_0 will be found in the product tables.

Supplementary designations

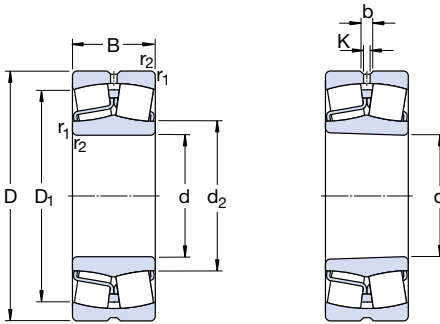
The designation suffixes used to identify certain features of SKF spherical roller bearings are explained in the following. The suffixes used to identify bearing (and cage) design, e.g. CC or E, are not included here as they are explained in the section "Standard bearings" on **page 692**.

C2	Radial internal clearance smaller than Normal
C3	Radial internal clearance greater than Normal
C4	Radial internal clearance greater than C3
C5	Radial internal clearance greater than C4
C08	Heightened running accuracy to ISO tolerance class 5
C083	C08 + C3
C084	C08 + C4
2CS	Sheet steel reinforced contact seal of acrylonitrile butadiene rubber (NBR) on both sides of the bearing. Annular groove and three lubrication holes in the outer ring covered with a polymer band. Lubricated with an extreme pressure bearing grease according to table 1 on page 694

2CS2	Sheet steel reinforced contact seal of fluoro rubber (FPM) on both sides of the bearing. Annular groove and three lubrication holes in the outer ring; covered with a polymer band. Lubricated with a polyurea high temperature grease
2CS5	Sheet steel reinforced contact seal of hydrogenated acrylonitrile butadiene rubber (HNBR) on both sides of the bearing. Otherwise as 2CS2
HA3	Inner ring of case-hardening steel
K	Tapered bore, taper 1:12
K30	Tapered bore, taper 1:30
P5	Dimensional and running accuracy to ISO tolerance class 5
P6	Dimensional and running accuracy to ISO tolerance class 6
P62	P6 + C2
VA405	Bearings for vibratory applications with surface hardened cages
VA406	VA405 and PTFE-coated bore
VE552(E)	Outer ring with three equally spaced threaded holes in one side face to accommodate hoisting tackle; the E indicates that appropriate eye bolts are supplied with the bearings
VE553(E)	As VE552 but with threaded holes in both side faces
VG114	Surface hardened pressed steel cage
VQ424	Running accuracy better than C08
VT143	Grease fill with an extreme pressure grease according to table 1 on page 694
W	Without annular groove and lubrication holes in outer ring
W20	Three lubrication holes in the outer ring
W26	Six lubrication holes in the inner ring
W33	Annular groove and three lubrication holes in the outer ring
W64	Solid Oil filling
W77	Plugged W33 lubrication holes
W513	W26 + W33
235220	Inner ring of case-hardened steel with helical groove in bore

Spherical roller bearings

d 20 – 70 mm

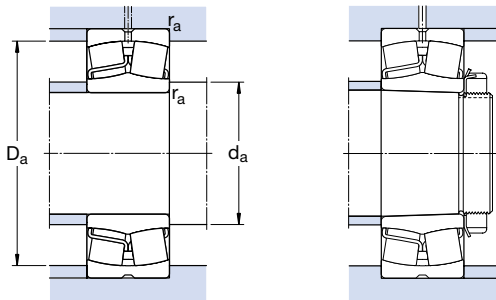


Cylindrical bore

Tapered bore

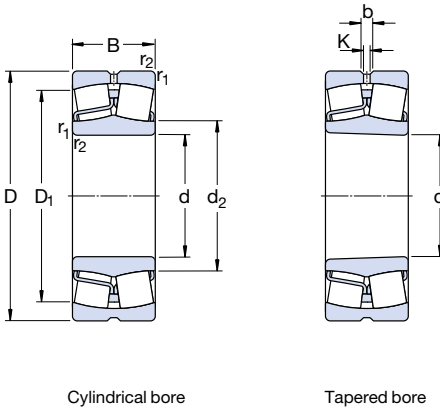
Principal dimensions			Basic load ratings dynamic static		Fatigue load limit	Speed ratings Reference speed		Limiting speed	Mass	Designations Bearing with cylindrical bore		tapered bore
d	D	B	C	C ₀	P _u							
mm			kN		kN		r/min		kg	-		
20	52	18	49	44	4,75	13 000	17 000	0,28		* 22205/20 E	-	
25	52	18	49	44	4,75	13 000	17 000	0,26		* 22205 E	* 22205 EK	
	62	17	41,4	41,5	4,55	8 500	12 000	0,28		21305 CC	-	
30	62	20	64	60	6,4	11 000	14 000	0,29		* 22206 E	* 22206 EK	
	72	19	55,2	61	6,8	7 500	10 000	0,41		21306 CC	21306 CCK	
35	72	23	86,5	85	9,3	9 000	12 000	0,45		* 22207 E	* 22207 EK	
	80	21	65,6	72	8,15	6 700	9 500	0,55		21307 CC	21307 CCK	
40	80	23	96,5	90	9,8	8 000	11 000	0,53		* 22208 E	* 22208 EK	
	90	23	104	108	11,8	7 000	9 500	0,75		* 21308 E	* 21308 EK	
	90	33	150	140	15	6 000	8 000	1,05		* 22308 E	* 22308 EK	
45	85	23	102	98	10,8	7 500	10 000	0,58		* 22209 E	* 22209 EK	
	100	25	125	127	13,7	5 300	7 000	0,99		* 21309 E	* 21309 EK	
	100	36	183	183	19,6	5 300	7 000	1,40		* 22309 E	* 22309 EK	
50	90	23	104	108	11,8	7 000	9 500	0,63		* 22210 E	* 22210 EK	
	110	27	156	166	18,6	5 600	7 500	1,35		* 21310 E	* 21310 EK	
	110	40	220	224	24	4 800	6 300	1,90		* 22310 E	* 22310 EK	
55	100	25	125	137	13,7	6 300	8 000	0,84		* 22211 E	* 22211 EK	
	120	29	156	166	18,6	5 600	7 500	1,70		* 21311 E	* 21311 EK	
	120	43	270	280	30	4 300	5 600	2,45		* 22311 E	* 22311 EK	
60	110	28	156	166	18,6	5 600	7 500	1,15		* 22212 E	* 22212 EK	
	130	31	212	240	26,5	4 800	6 300	2,10		* 21312 E	* 21312 EK	
	130	46	310	335	36,5	4 000	5 300	3,10		* 22312 E	* 22312 EK	
65	120	31	193	216	24	4 300	7 000	1,55		* 22213 E	* 22213 EK	
	140	33	236	270	29	4 300	6 000	2,55		* 21313 E	* 21313 EK	
	140	48	340	360	38	3 800	5 000	3,75		* 22313 E	* 22313 EK	
70	125	31	208	228	25,5	5 000	6 700	1,55		* 22214 E	* 22214 EK	
	150	35	285	325	34,5	3 400	4 500	3,10		* 21314 E	* 21314 EK	
	150	51	400	430	45	3 400	4 500	4,55		* 22314 E	* 22314 EK	

* SKF Explorer bearing



Dimensions						Abutment and fillet dimensions			Calculation factors			
d	d ₂ ~	D ₁ ~	b	K	r _{1,2} min	d _a min	D _a max	r _a max	e	Y ₁	Y ₂	Y ₀
mm						mm			-			
20	31,2	44,2	3,7	2	1	25,6	46,4	1	0,35	1,9	2,9	1,8
25	31,2 35,7	44,2 50,7	3,7 -	2 -	1 1,1	30,6 32	46,4 55	1 1	0,35 0,30	1,9 2,3	2,9 3,4	1,8 2,2
30	37,7 43,3	53 58,8	3,7 -	2 -	1 1,1	35,6 37	56,4 65	1 1	0,31 0,27	2,2 2,5	3,3 3,7	2,2 2,5
35	44,5 47,2	61,8 65,6	3,7 -	2 -	1,1 1,5	42 44	65 71	1 1,5	0,31 0,28	2,2 2,4	3,3 3,6	2,2 2,5
40	49,6 59,9 49,9	69,4 79 74,3	5,5 - 5,5	3 - 3	1,1 1,5 1,5	47 49 49	73 81 81	1 1,5 1,5	0,28 0,24 0,37	2,4 2,8 1,8	3,6 4,2 2,7	2,5 2,8 1,8
45	54,9 65,3 57,6	74,4 87,9 83,1	5,5 5,5 5,5	3 3 3	1,1 1,5 1,5	52 54 54	78 91 91	1 1,5 1,5	0,26 0,24 0,37	2,6 2,8 1,8	3,9 4,2 2,7	2,5 2,8 1,8
50	59,9 72,6 63,9	79 96 91,9	5,5 5,5 5,5	3 3 3	1,1 2 2	57 61 61	83 99 99	1 2 2	0,24 0,24 0,37	2,8 2,8 1,8	4,2 4,2 2,7	2,8 2,8 1,8
55	65,3 72,6 70,1	87,9 96 102	5,5 5,5 5,5	3 3 3	1,5 2 2	64 66 66	91 109 109	1,5 2 2	0,24 0,24 0,35	2,8 2,8 1,9	4,2 4,2 2,9	2,8 2,8 1,8
60	72,6 87,8 77,9	96,3 115 110	5,5 5,5 5,5	3 3 4,5	1,5 2,1 2,1	69 72 72	101 118 118	1,5 2 2	0,24 0,22 0,35	2,8 3 1,9	4,2 4,6 2,9	2,8 2,8 1,8
65	80 94,7 81,6	106 124 118	5,5 5,5 8,3	3 3 4,5	1,5 2,1 2,1	74 77 77	111 128 128	1,5 2 2	0,24 0,22 0,35	2,8 3 1,9	4,2 4,6 2,9	2,8 2,8 1,8
70	83 101 90,3	111 133 128	5,5 5,5 8,3	3 3 4,5	1,5 2,1 2,1	79 82 82	116 138 138	1,5 2 2	0,22 0,22 0,33	3 3 2	4,6 4,6 3	2,8 2,8 2

Spherical roller bearings
d 75 – 110 mm

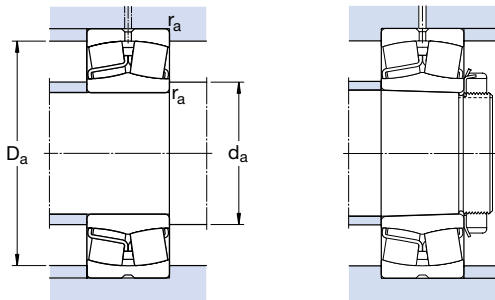


Cylindrical bore

Tapered bore

Principal dimensions			Basic load ratings dynamic static		Fatigue load limit P_u	Speed ratings Refer- ence speed		Mass	Designations Bearing with cylindrical bore		tapered bore
d	D	B	C	C_0				kg	-		
mm			kN		kN	r/min		kg	-		
75	115	40	173	232	28,5	3 800	5 300	1,55	* 24015 CC/W33	-	
	130	31	212	240	26,5	4 800	6 300	1,70	* 22215 E	* 22215 EK	
	160	37	285	325	34,5	4 000	5 600	3,75	* 21315 E	* 21315 EK	
	160	55	440	475	48	3 200	4 300	5,55	* 22315 E	* 22315 EK	
80	140	33	236	270	29	4 300	6 000	2,10	* 22216 E	* 22216 EK	
	170	39	325	375	39	3 800	5 300	4,45	* 21316 E	* 21316 EK	
	170	58	490	540	54	3 000	4 000	6,60	* 22316 E	* 22316 EK	
85	150	36	285	325	34,5	4 000	5 600	2,65	* 22217 E	* 22217 EK	
	180	41	325	375	39	3 800	5 300	5,20	* 21317 E	* 21317 EK	
	180	60	550	620	61	2 800	3 800	7,65	* 22317 E	* 22317 EK	
90	160	40	325	375	39	3 800	5 300	3,40	* 22218 E	* 22218 EK	
	160	52,4	355	440	48	2 800	3 800	4,65	* 23218 CC/W33	* 23218 CCK/W33	
	190	43	380	450	46,5	3 600	4 800	6,10	* 21318 E	* 21318 EK	
	190	64	610	695	67	2 600	3 600	9,05	* 22318 E	* 22318 EK	
95	170	43	380	450	46,5	3 600	4 800	4,15	* 22219 E	* 22219 EK	
	200	45	425	490	49	3 400	4 500	7,05	* 21319 E	* 21319 EK	
	200	67	670	765	73,5	2 600	3 400	10,5	* 22319 E	* 22319 EK	
100	150	50	285	415	45,5	2 800	4 000	3,15	* 24020 CC/W33	-	
	165	52	365	490	53	3 000	4 000	4,55	* 23120 CC/W33	* 23120 CCK/W33	
	165	65	455	640	68	2 200	3 200	5,65	* 24120 CC/W33	-	
	180	46	425	490	49	3 400	4 500	4,90	* 22220 E	* 22220 EK	
110	180	60,3	475	600	63	2 400	3 400	6,85	* 23220 CC/W33	* 23220 CCK/W33	
	215	47	425	490	49	3 400	4 500	8,60	* 21320 E	* 21320 EK	
	215	73	815	950	88	2 400	3 000	13,5	* 22320 E	* 22320 EK	
	170	45	310	440	46,5	3 400	4 300	3,80	* 23022 CC/W33	* 23022 CCK/W33	
110	170	60	415	620	67	2 200	3 600	5,00	* 24022 CC/W33	* 24022 CCK30/W33	
	180	56	430	585	61	2 800	3 600	5,75	* 23122 CC/W33	* 23122 CCK/W33	
	180	69	520	750	78	2 200	3 000	7,10	* 24122 CC/W33	* 24122 CCK30/W33	
	200	53	560	640	63	3 000	4 000	7,00	* 22222 E	* 22222 EK	
	200	69,8	600	765	76,5	2 200	3 000	9,85	* 23222 CC/W33	* 23222 CCK/W33	
	240	80	950	1 120	100	2 000	2 800	18,4	* 22322 E	* 22322 EK	

* SKF Explorer bearing



Dimensions						Abutment and fillet dimensions			Calculation factors			
d	d ₂	D ₁	b	K	r _{1,2} min	d _a min	D _a max	r _a max	e	Y ₁	Y ₂	Y ₀
mm						mm			-			
75	84,1	100	5,5	3	1,1	81	109	1	0,28	2,4	3,6	2,5
	87,8	115	5,5	3	1,5	84	121	1,5	0,22	3	4,6	2,8
	101	133	5,5	3	2,1	87	148	2	0,22	3	4,6	2,8
	92,8	135	8,3	4,5	2,1	87	148	2	0,35	1,9	2,9	1,8
80	94,7	127	5,5	3	2	91	129	2	0,22	3	4,6	2,8
	106	141	5,5	3	2,1	92	158	2	0,24	2,8	4,2	2,8
	98,3	143	8,3	4,5	2,1	92	158	2	0,35	1,9	2,9	1,8
85	101	133	5,5	3	2	96	139	2	0,22	3	4,6	2,8
	106	141	5,5	3	3	99	166	2,5	0,24	2,8	4,2	2,8
	108	154	8,3	4,5	3	99	166	2,5	0,33	2	3	2
90	106	141	5,5	3	2	101	149	2	0,24	2,8	4,2	2,8
	106	137	5,5	3	2	101	149	2	0,31	2,2	3,3	2,2
	112	150	8,3	4,5	3	104	176	2,5	0,24	2,8	4,2	2,8
	113	161	11,1	6	3	104	176	2,5	0,33	2	3	2
95	112	150	8,3	4,5	2,1	107	158	2	0,24	2,8	4,2	2,8
	118	159	8,3	4,5	3	109	186	2,5	0,24	2,8	4,2	2,8
	118	168	11,1	6	3	109	186	2,5	0,33	2	3	2
100	111	132	5,5	3	1,5	107	143	1,5	0,28	2,4	3,6	2,5
	115	144	5,5	3	2	111	154	2	0,30	2,3	3,4	2,2
	113	141	5,5	3	2	111	154	2	0,37	1,8	2,7	1,8
	118	159	8,3	4,5	2,1	112	168	2	0,24	2,8	4,2	2,8
	117	153	8,3	4,5	2,1	112	168	2	0,33	2	3	2
	118	159	8,3	4,5	3	114	201	2,5	0,24	2,8	4,2	2,8
	130	184	11,1	6	3	114	201	2,5	0,33	2	3	2
	118	159	8,3	4,5	2,1	112	168	2	0,24	2,8	4,2	2,8
110	125	151	5,5	3	2	120	160	2	0,23	2,9	4,4	2,8
	122	149	5,5	3	2	120	160	2	0,33	2	3	2
	126	157	8,3	4,5	2	121	169	2	0,30	2,3	3,4	2,2
	123	153	5,5	3	2	121	169	2	0,37	1,8	2,7	1,8
	130	178	8,3	4,5	2,1	122	188	2	0,25	2,7	4	2,5
	130	169	8,3	4,5	2,1	122	188	2	0,33	2	3	2
	143	204	13,9	7,5	3	124	226	2,5	0,33	2	3	2
	130	178	8,3	4,5	2,1	122	188	2	0,25	2,7	4	2,5
	130	169	8,3	4,5	2,1	122	188	2	0,33	2	3	2
	143	204	13,9	7,5	3	124	226	2,5	0,33	2	3	2